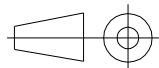
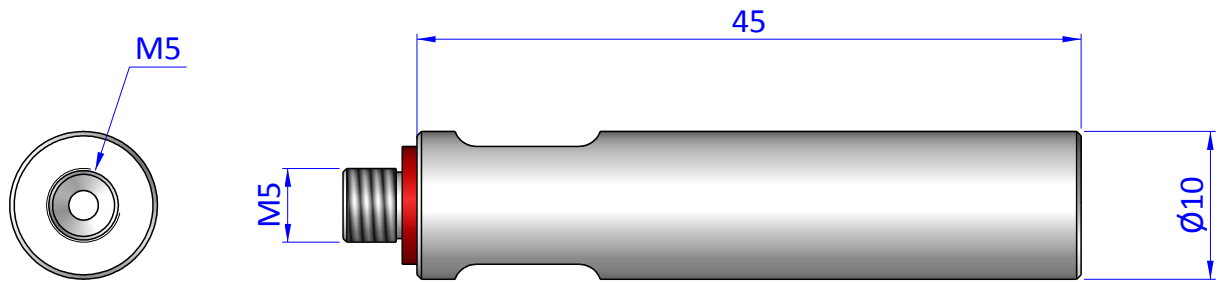
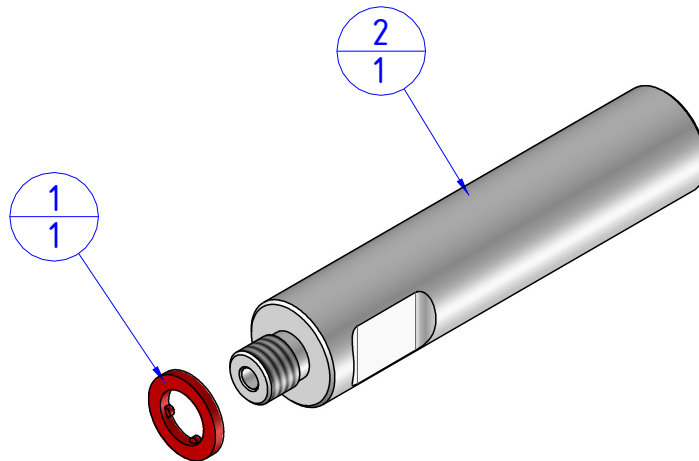


THE PROPERTY OF THE DRAWING IS ESTABLISHED BY LAW. IT IS FORBIDDEN TO PRODUCE OR SHOW IT TO THIRD PART. WITHOUT A WRITTEN AGREEMENT.

Item	Name	Qty.
1	CA.08.09.05	1
2	GSEG.100545	1



Format A4
UNI 936-76

GENERAL TOLERANCE
UNI - ISO 2768
CLASSE f

DESCRIPTION
CA.GSEG.100545

DESIGNED FROM FPSERVICES		REVIEW A
DATE 26/02/2019	WEIGHT 0,008kg	
CODE CA.GSEG.100545		